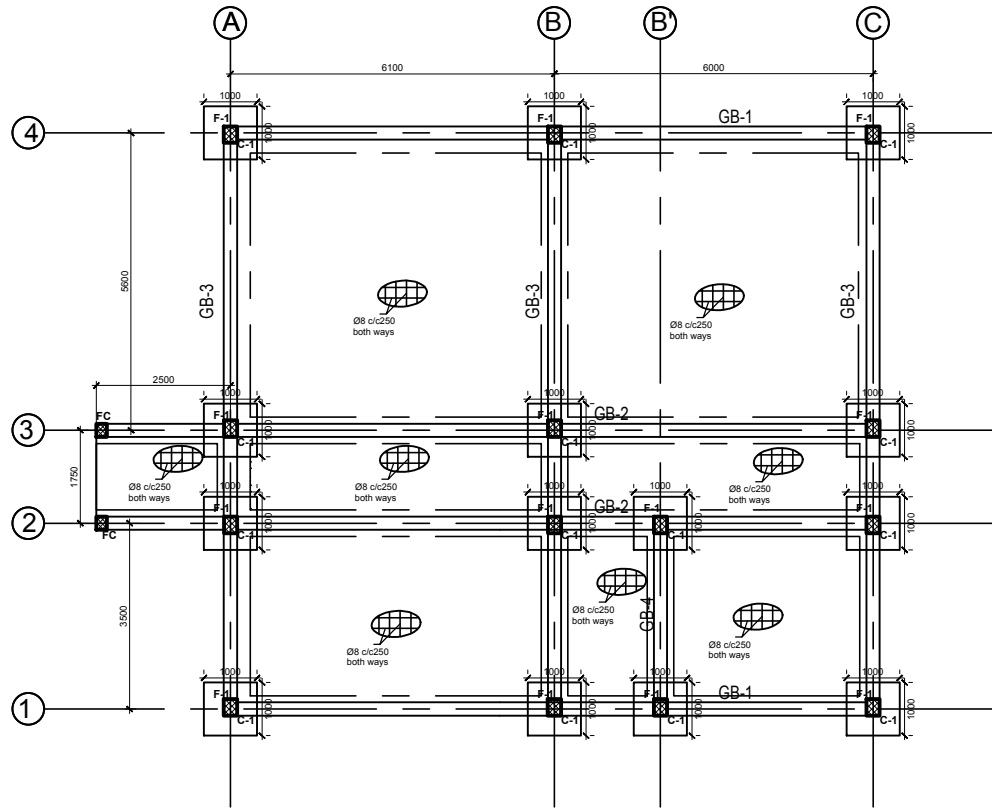


VOLUME 3

TECHNICAL SPECIFICATIONS

REF NO 40/CUAMM/ETH/2023/AID012590/06/09



**GROUND FLOOR SLAB, COLUMN, FOUNDATION
& BEAM LAYOUT & REINFORCEMENT**
(Slab Thickness 150mm)

GENERAL NOTES

No.	REVISION / ISSUE	DATE

STRUCTURAL DESIGN

Project Name
**Gambella Primary Hospital
PEDIATRIC Ward**

Project Address
Location:
Sub city: Kebele / Wereda:
Parcel No.: - House No.: -
Title Deed no.:

Project Owner
DOCTORS WITH AFRICA - CUAMM

Drawing Title
Ground Floor Slab, Column, Foundation &
Beam Layout & Reinforcement

Project Status
 New Modification As Built

Designed By
Solomon Tesfay

Drawn By
Staff

Checked By

Scale
1:50

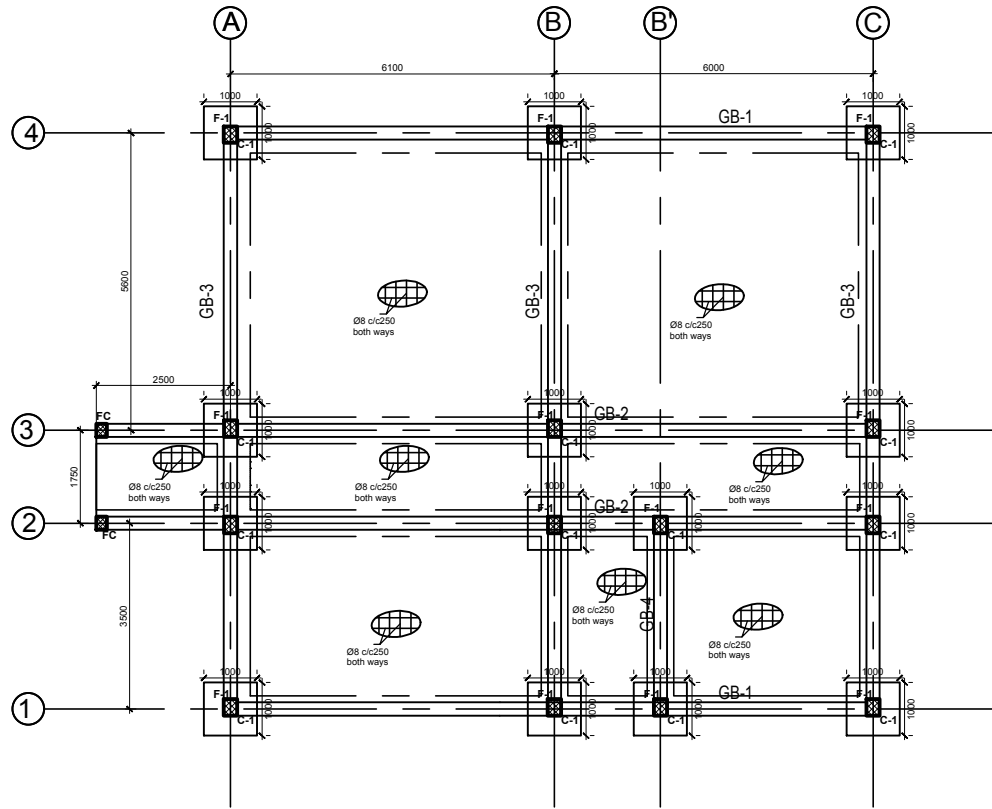
Date
August-2024

Project No.

Drawing No.
ST

Date
01/03

Paper Size
ISO A1



**GROUND FLOOR SLAB, COLUMN, FOUNDATION
& BEAM LAYOUT & REINFORCEMENT**
(Slab Thickness 150mm)

GENERAL NOTES

No.	REVISION / ISSUE	DATE

STRUCTURAL DESIGN

Project Name
**Gambella Primary Hospital
PEDIATRIC Ward**

Project Address
Location:
Sub city: Kebele / Wereda:
Parcel No.: - House No.: -
Title Deed no.:

Project Owner
DOCTORS WITH AFRICA - CUAMM

Drawing Title
Ground Floor Slab, Column, Foundation &
Beam Layout & Reinforcement

Project Status
 New Modification As Built

Designed By
Solomon Tesfay

Drawn By
Staff

Checked By

Scale
1:50

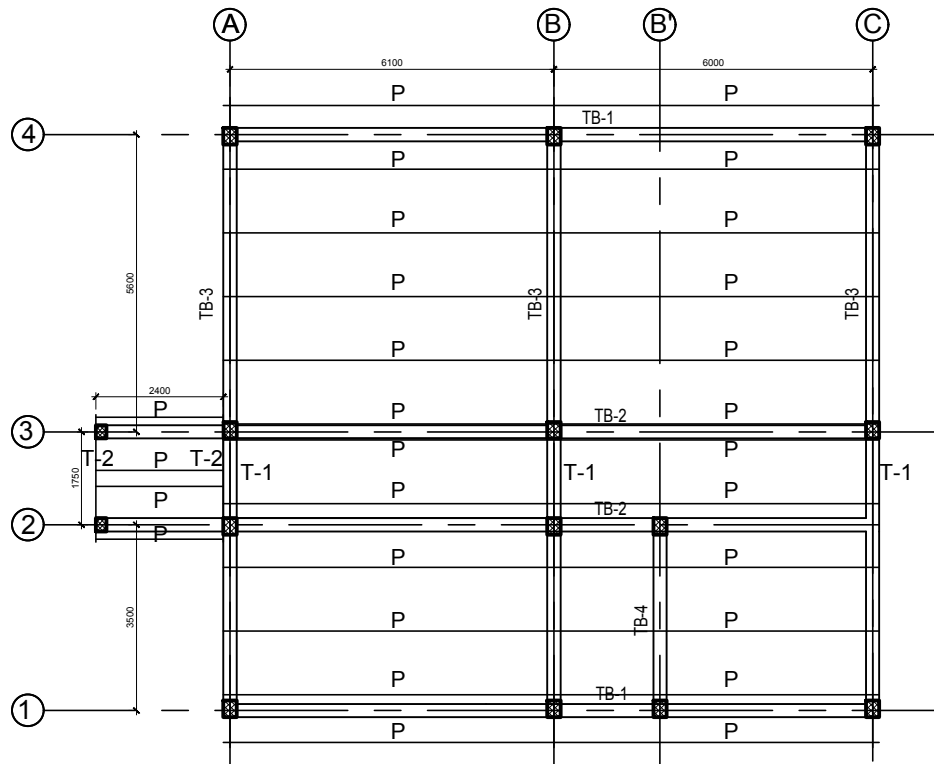
Date
August-2024

Project No.

Drawing No.
ST

Date
01/03

Paper Size
ISO A1



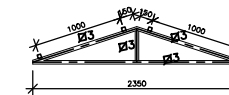
ROOF BEAM LAYOUT PLAN

MATERIAL USED FOR TRUSSES

- 1- TOP AND BOTTOM MEMBERS 60X60X3mm
- 2- VERTICAL AND DIAGONAL MEMBERS 50X50X2.5mm
- 3- TOP AND BOTTOM MEMBERS 40X40X2.5mm

GENERAL NOTES

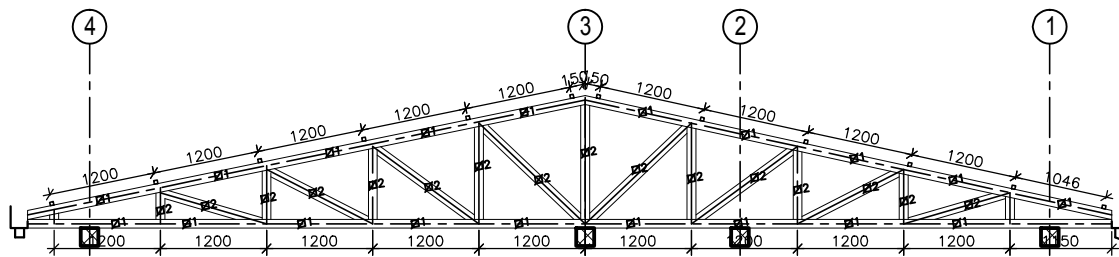
- *Minimum thickness of weld 3mm
- *Bolt strength as specified
- *Trusses should be welded when connected to each other
- *Use 5mm thick connection plate for length > 6m.
- *Provide a camber of 50mm at the center.
- *All Measurements are in mm. unless specified.
- *No scaling



TYPICAL RAFTER TRUSS DETAIL T-2

(4 Pcs.)

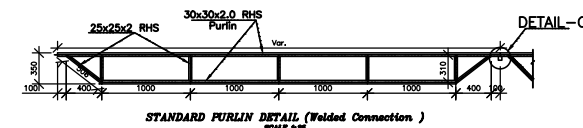
SCALE 1:30



TYPICAL RAFTER TRUSS DETAIL T-1

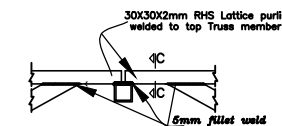
(4 Pcs.)

SCALE 1:30

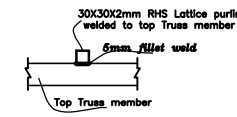


STANDARD PURLIN DETAIL (Welded Connection)

SCALE 1:30



DETAIL



SECTION C-C

GENERAL NOTES

No.	REVISION / ISSUE	DATE

STRUCTURAL DESIGN

Project Name
**Gambella Primary Hospital
 PEDIATRIC Ward**

Project Address
 Location:
 Sub city: Kebele / Wereda:
 Parcel No.: - House No.: -
 Title Deed no.:

Project Owner
DOCTORS WITH AFRICA - CUAMM

Drawing Title
Roof Beam Layout Plan

Project Status
 New Modification As Built

Designed By
Solomon Tesfay

Drawn By
 Staff

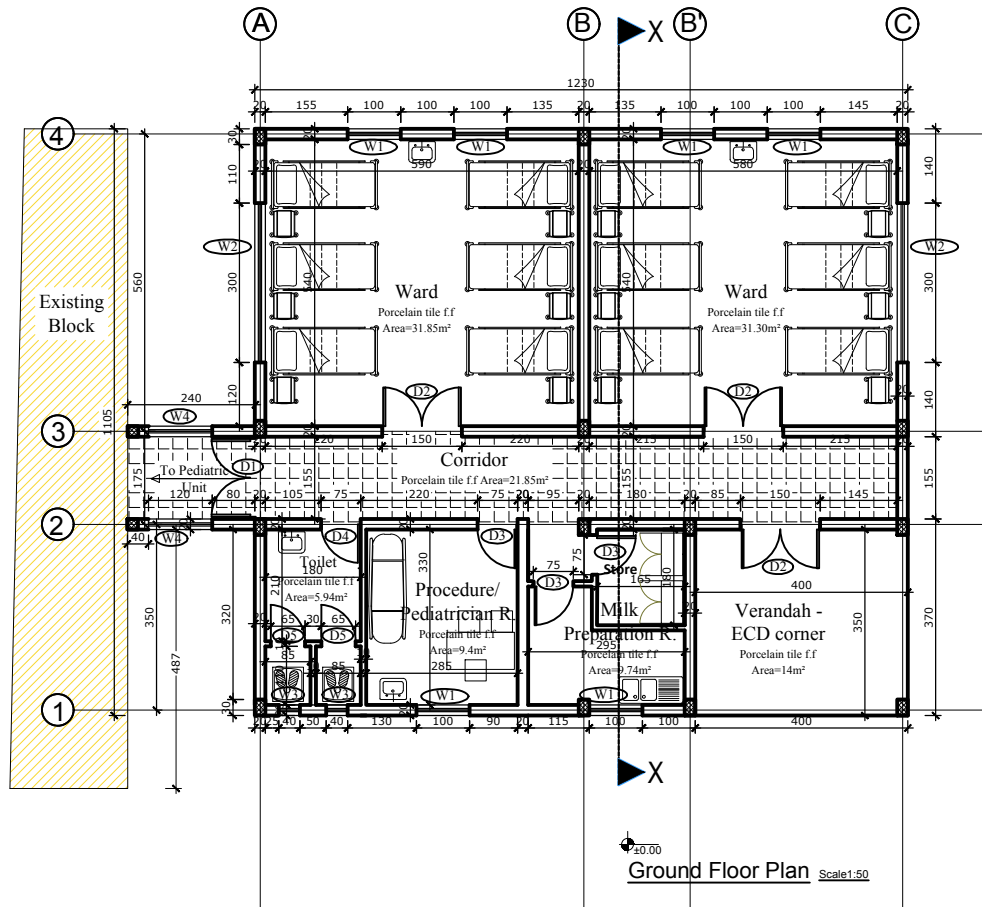
Checked By

Scale
1:50

Date
August-2024

Project No.

Drawing No.
**ST
 03/03**
 Paper Size
ISO A1



GENERAL NOTES

- _____
- _____
- _____
- _____
- _____
- _____
- _____
- _____
- _____
- _____

No.	REVISION / ISSUE	DATE

ARCHITECTURAL DESIGN

Project Name

Gambella Primary Hospital Pediatric Ward

Project Address

Location:
Sub city: Kebele / Wereda:
Parcel No.: - House No.: -
Title Deed no.:

Project Owner

DOCTORS WITH AFRICA - CUAMM

Drawing Title

Ground Floor Plan

Project Status

New Modification As Built

Designed By

Solomon Tesfay

Drawn By

Staff

Checked By

Scale

1:50

Date

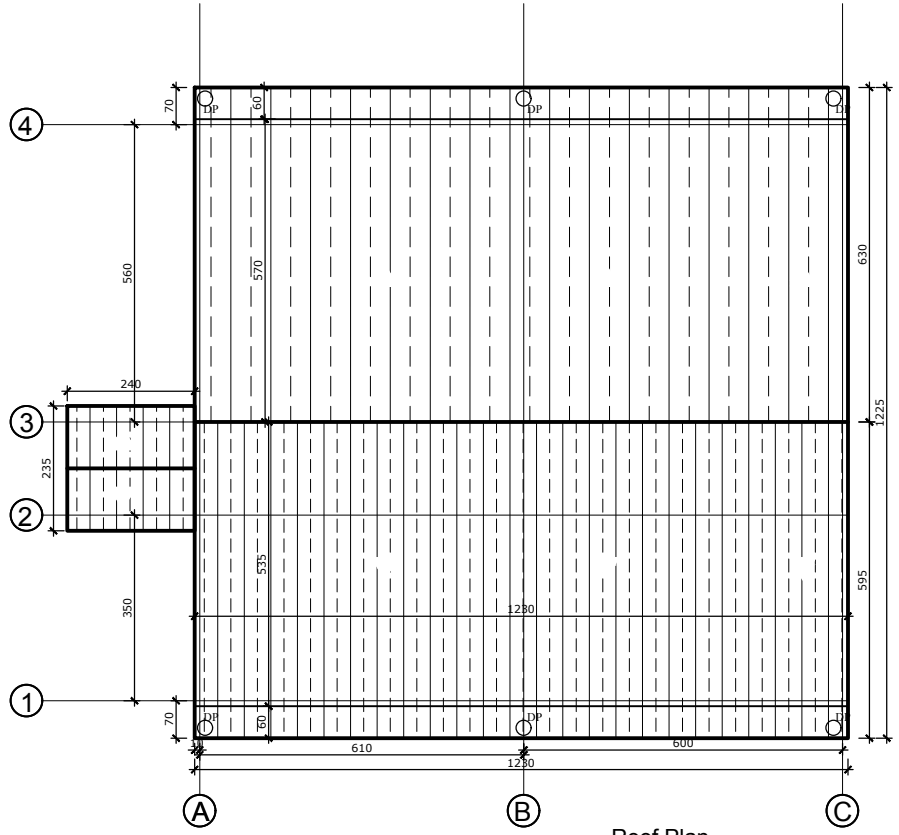
August-2024

Project No.

AR 01/04

Paper Size

ISO A1



Roof Plan Scale: 1:50

GENERAL NOTES

No.	REVISION / ISSUE	DATE

ARCHITECTURAL DESIGN

Project Name

**Gambella Primary Hospital
Pediatric Ward**

Project Address

Location:
Sub city: Kebele / Wereda:
Parcel No.: - House No.: -

Title Deed no.:

Project Owner

DOCTORS WITH AFRICA - CUAMM

Drawing Title

Roof Plan

Project Status

New Modification As Built

Designed By

Solomon Tesfay

Drawn By

Staff

Checked By

Scale

1:50

Date

August-2024

Project No.

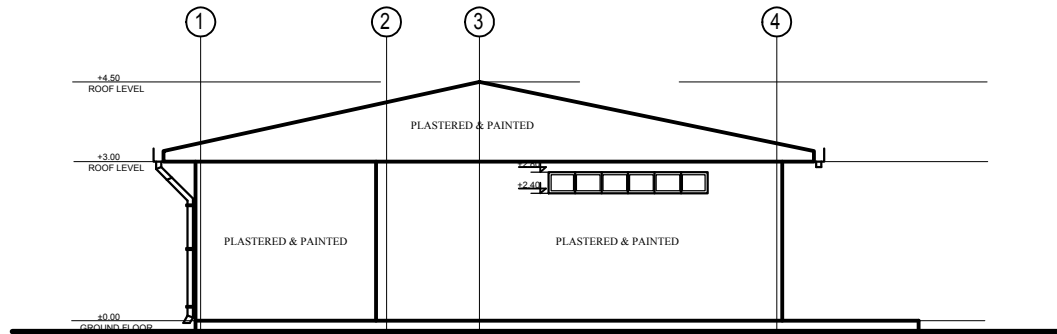
Drawing No.

AR

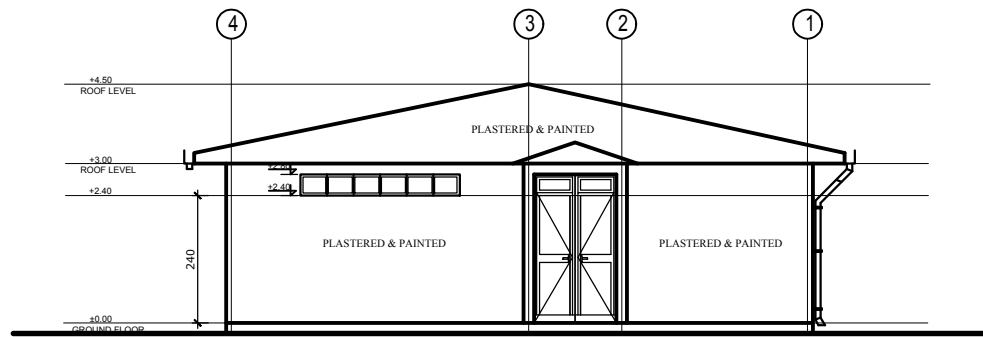
02/04

Paper Size

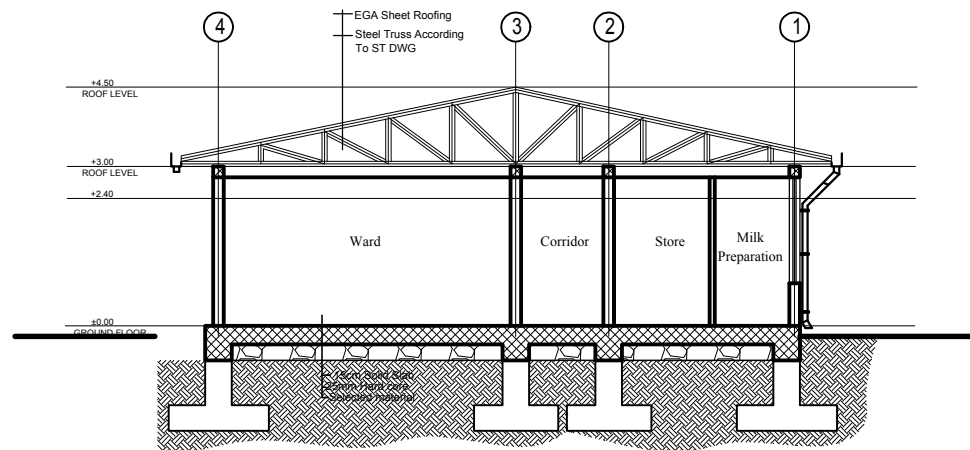
ISO A1



RIGHT ELEVATION Scale 1:50



LEFT ELEVATION Scale 1:50



SECTION X-X Scale 1:50

GENERAL NOTES

No.	REVISION / ISSUE	DATE

ARCHITECTURAL DESIGN

Project Name

**Gambella Primary Hospital
Pediatric Ward**

Project Address

Location:
Sub city: Kebele / Woreda: -
Parcel No: - House No: -
Title Deed no: -

Project Owner

DOCTORS WITH AFRICA - CUAMM

Drawing Title

Elevations And Section

Project Status

New Modification As Built

Designed By

Solomon Tesfay

Drawn By

Staff

Checked By

Scale

1:50

Date

August-2024

Project No.

Drawing No.

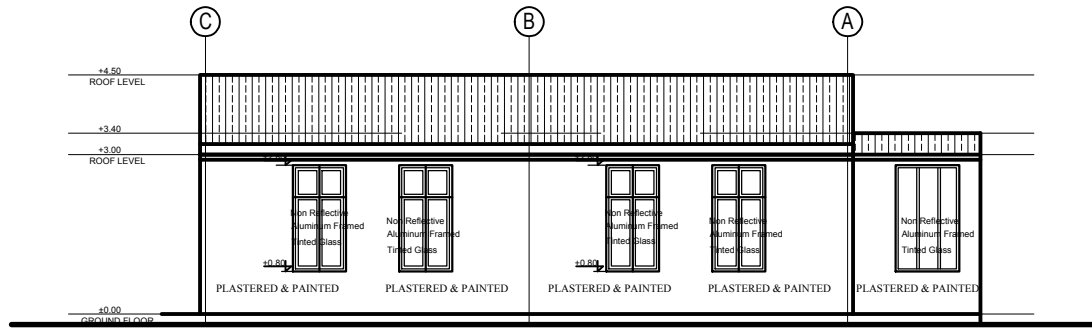
AR

Date

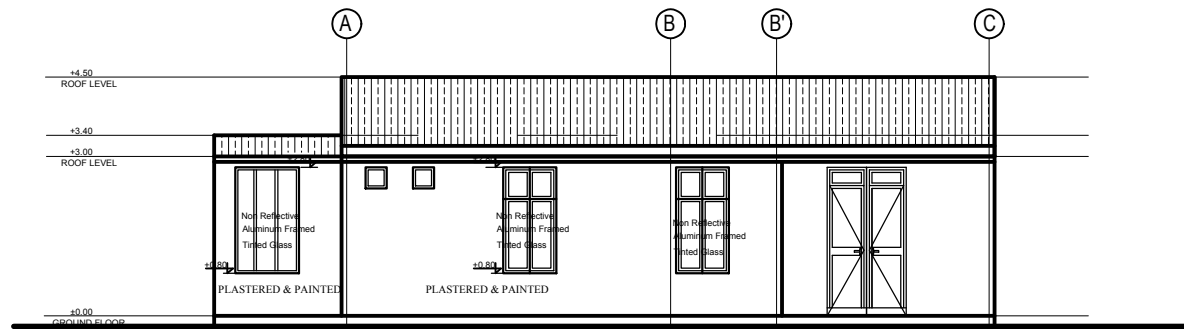
03/04

Paper Size

ISO A1



REAR ELEVATION Scale 1:50



FRONT ELEVATION Scale 1:50

Designation = W1	Designation = W2	Designation = W3	Designation = W4
Location = Front & Rear	Location = Left & Right	Location = Toilet	Location = Corridor
Production Size = 100 X 200	Production Size = 300 X 40	Production Size = 40 X 40	Production Size = 120 X 200
Quantity = 6 (pcs)	Quantity = 2 (pcs)	Quantity = 2 (pcs)	Quantity = 2 (pcs)
Material = Frame in aluminum * profile 4mm tinted glass	Material = Frame in aluminum * profile 4mm tinted glass	Material = Frame in aluminum * profile 4mm tinted crown glass	Material = Frame in aluminum * profile 4mm tinted glass

Designation = D1	Designation = D2	Designation = D3	Designation = D4	Designation = D5
Location = Access to Pediatric Unit	Location = Wards & Verandah	Location = MR Preparation & Procedure Room	Location = Toilet	Location = Toilet
Production Size = 195 X 280	Production Size = 190 X 280	Production Size = 75 X 280	Production Size = 75 X 280	Production Size = 65 X 280
Quantity = 1 (pc)	Quantity = 3 (pcs)	Quantity = 3 (pcs)	Quantity = 1 (pc)	Quantity = 2 (pcs)
Material = Frame in aluminum * profile 4mm tinted glass	Material = Frame in aluminum * profile 4mm tinted glass	Material = Frame in aluminum * profile 4mm tinted glass	Material = Frame in aluminum * profile	Material = Frame in aluminum * profile

GENERAL NOTES

No.	REVISION / ISSUE	DATE

ARCHITECTURAL DESIGN

Project Name

**Gambella Primary Hospital
Pediatric Ward**

Project Address

Location:
Sub city: Kebele / Wereda:
Parcel No.: - House No.: -
Title Deed no.:

Project Owner

DOCTORS WITH AFRICA - CUAMM

Drawing Title

**Elevation And Window Door
Schedule**

Project Status

New Modification As Built

Designed By

Solomon Tesfay

Drawn By

Staff

Checked By

Scale

1:50

Date

August-2024

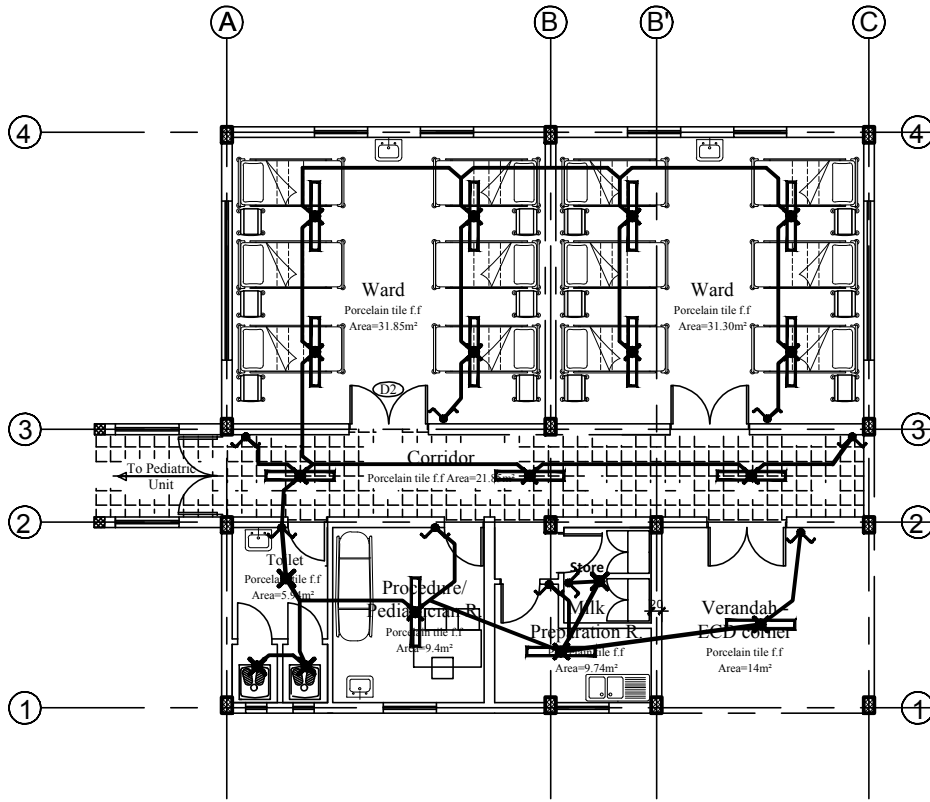
Project No.

Drawing No.

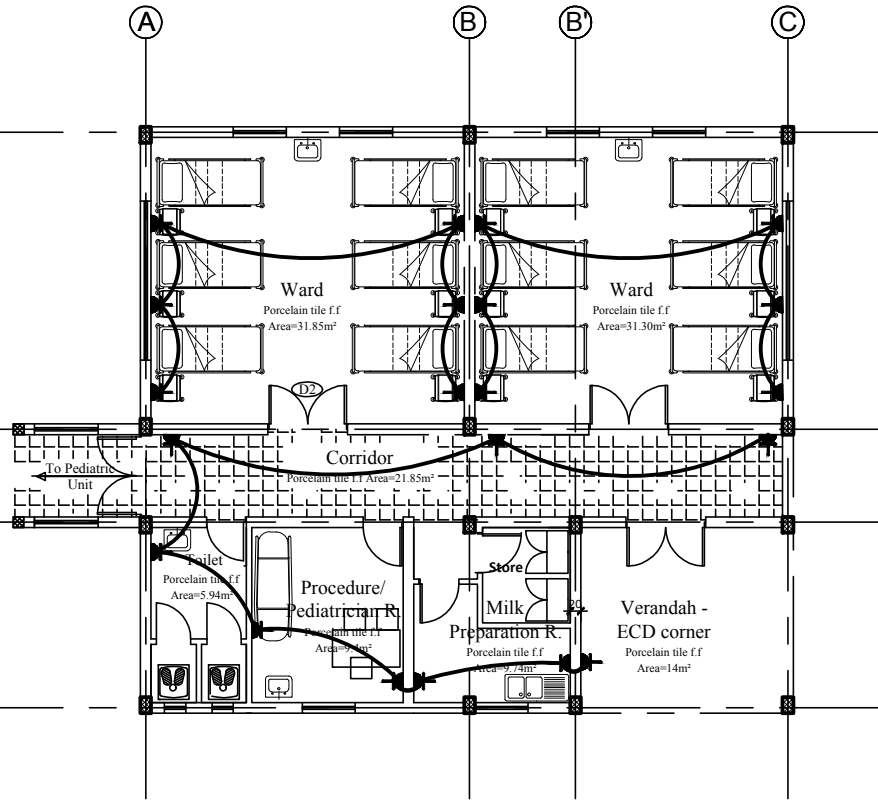
AR

04/04

Paper Size
ISO A1



GROUND FLOOR LIGHT LAYOUT



GROUND FLOOR SOCKET LAYOUT

GENERAL NOTES

- _____
- _____
- _____
- _____
- _____
- _____
- _____
- _____
- _____
- _____

No.	REVISION / ISSUE	DATE

Key Plan:

ELECTRICAL DESIGN

Project Name:
**Gambella Primary Hospital
 Pediatric Ward**
 Location: Gambella
 Sub city: Kebele / Werda:---
 Parcel No.: House No.:
 Title Deed no.:---

Project Owner:

Drawing Title:
Light and Socket Layout

Project Status:
 New Modification As Built

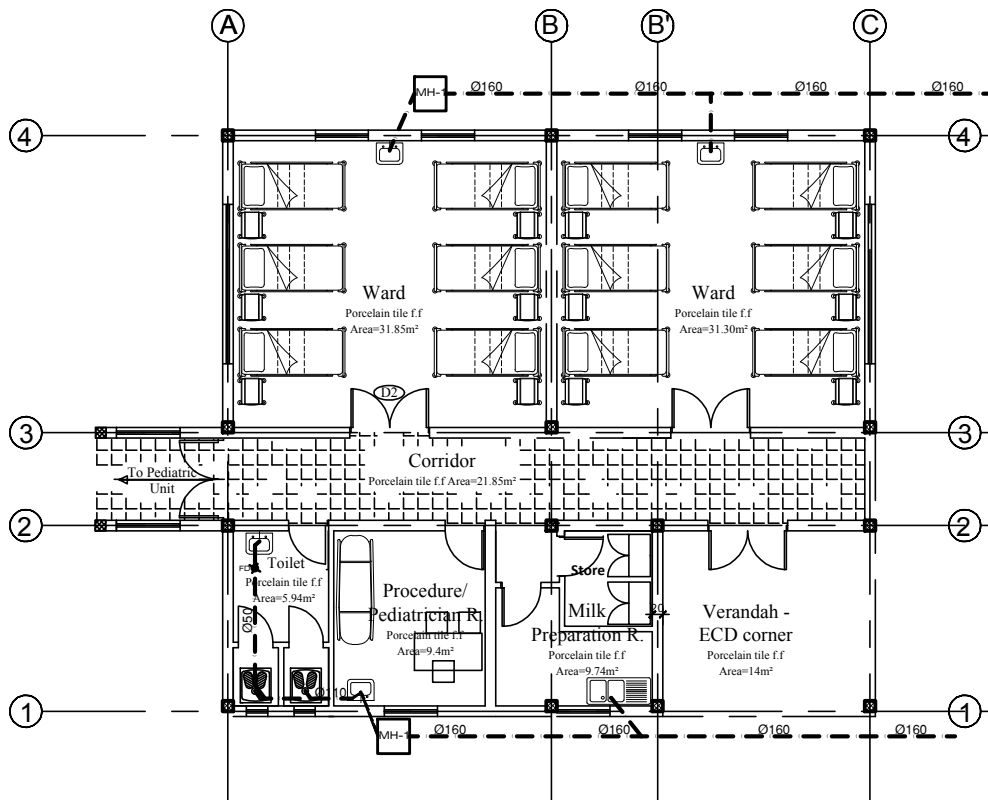
Designed By:
Staff
 Signature:

Drawn By:
Staff
 Checked By:
Staff

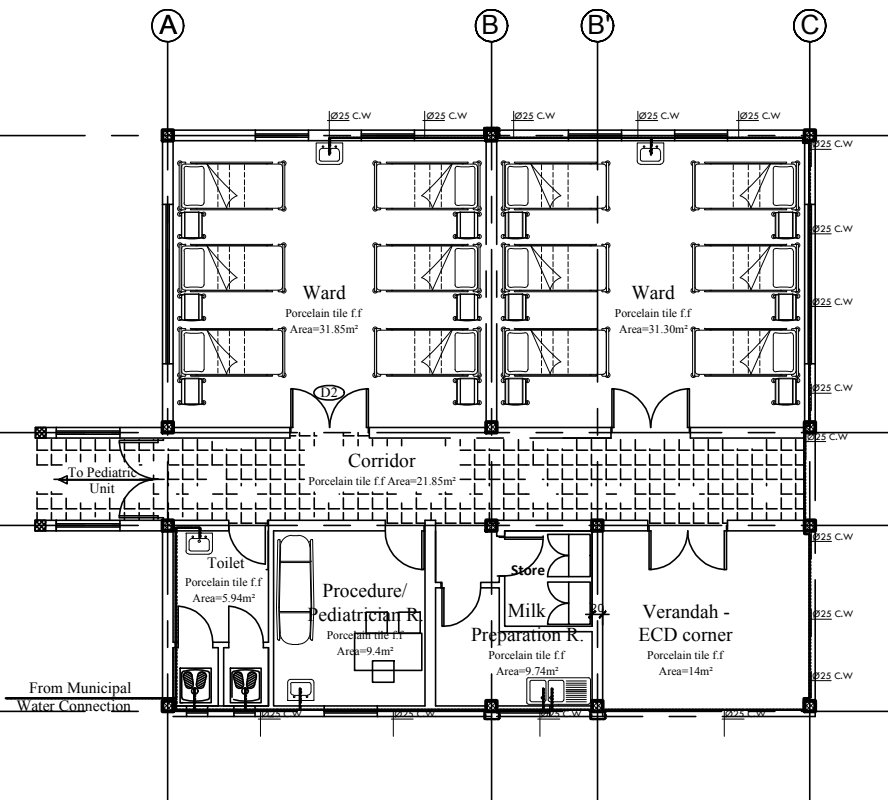
Measurement unit:
 mm cm mtr
 Scale:
1:50
 Date: **August-2024**
 Project No.:

Drawing No.
**EL
 01/01**
 Paper Size
 ISO A1

Project No.: EL/01/01 Date: 2024-08-01 Scale: 1:50 Drawing No.: EL/01/01
 Project Name: Gambella Primary Hospital Pediatric Ward Location: Gambella
 Sub city: Kebele / Werda: --- Parcel No.: House No.: Title Deed no.: ---
 Project Owner: -----
 Drawing Title: Light and Socket Layout
 Project Status: New Modification As Built
 Designed By: Staff
 Signature: _____
 Drawn By: Staff
 Checked By: Staff
 Measurement unit: mm cm mtr
 Scale: 1:50
 Date: August-2024
 Project No.: -----
 Drawing No.: EL/01/01
 Paper Size: ISO A1



Waste Water Drainage Line at Ground Floor
Sc.1:50



Water Supply Line at Ground Floor Sc.1:50

GENERAL NOTES

- _____
- _____
- _____
- _____
- _____
- _____
- _____
- _____
- _____
- _____

No.	REVISION / ISSUE	DATE

Key Plan:

SANITARY DESIGN

Project Name:
**Gambella Primary Hospital
Pediatric Ward**

Project Address
Location: Gambella
Sub city: ----- Kebele / Werda:-----
Parcel No.: - House No.: -
Title Deed no.:-----

Project Owner:

Drawing Title:
Sanitary Detail

Project Status:
 New Modification As Built

Designed By:
Staff

Signature:

Drawn By:
Staff

Checked By:
Staff

Measurement unit:
 mm cm mtr

Scale:
1:50

Date: **August-2024**
Project No.: -----
Drawing No. **SN 01/01**
Paper Size **ISO A1**